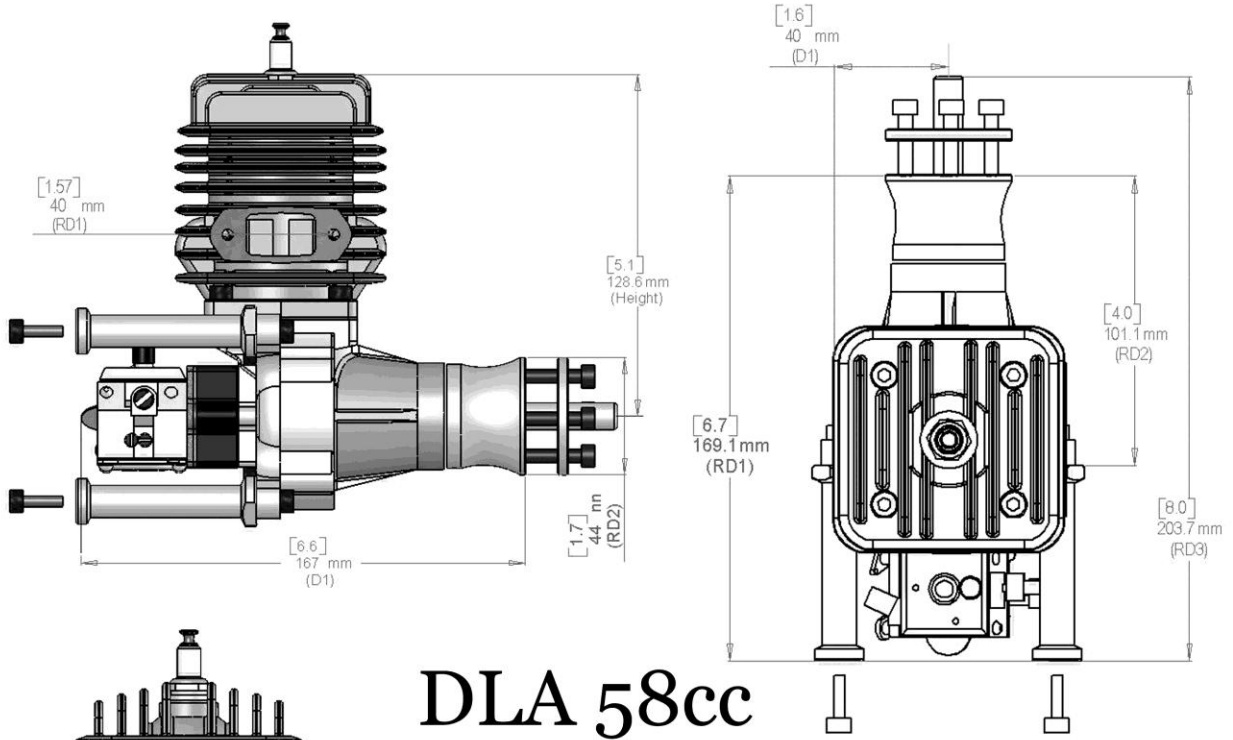
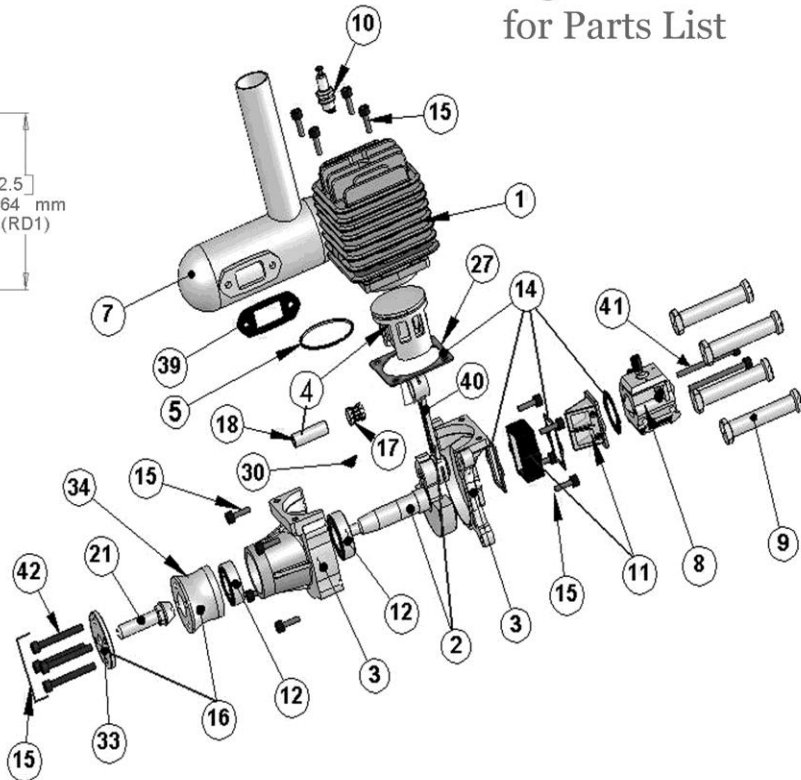
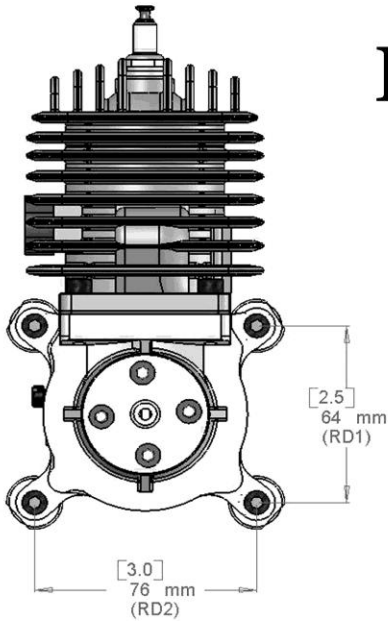


# Technical Notes: DLA 58cc Gas Engine



## DLA 58cc Gas Engine

See [www.goldenskiesrc.com](http://www.goldenskiesrc.com) for Parts List



## Specifications:

### **DLA 58cc** (3.54 in<sup>3</sup>) Gas Engine

Power:	~6.0 HP @ 7,600 rpm
Displacement:	58 cc (3.54 in <sup>3</sup> )
Idle Speed:	1,400 – 1,700 rpm
Static Thrust:	33.0 pounds @ 100 m (~328 ft Altitude) (Pulling Force) 29.1 pounds @ 1,800 m (~5,900 ft Altitude)
Propellers (Recommended):	22 x 8, 22 x 10, 23 x 8, 23 x 10
RPM Range:	~1,400 to ~8,000 rpm
Carburetor:	Walbro™, (Typ: WT-247, or HDA), Diaphragm Pump
Spark Plug:	CM-6 Special
Muffler Volume:	58 cc (3.54 in <sup>3</sup> )
Cylinder Diameter (Bore) Stroke:	46.0 mm / 35 mm (1.81 in / 1.38 in)
Compression Ratio:	7.8 : 1
Gas	87 – 89 Octane, unleaded (“Regular”)
Gas : Oil Ratios:	30 – 35:1 Break-in Trial Run; 40 – 50 : 1 Normal Flying
Weights (typ):	Engine: 46.2 oz, Muffler: 3.88 oz, Ignition: 4.76 oz (Total: 54.8 oz = 3.43 lbs)
Ignition:	Fully Advancing, Auto, <u>C</u> apacitive <u>D</u> ischarge <u>I</u> gnition
Ignition Power:	6.6 to 8.4 VDC

### Support Information:

Ignition Battery:	2-S, LiPo, (2,100 mAh Typical) un-regulated. 6-S, NiMH, (2,100 mAh Typical)
Break-in Propeller (Suggested)	22 x 10
Intake Manifold:	4-Leaf Reed Valve, V-Configuration
Items Included in Retail Pkg:	Engine, Muffler / Gasket & Bolts, CD Ignition, Sparkplug, Stand-off Mounts (Machined), Operations Manual (on Website), Bolts–Mounting, Spiral-Nylon Wire Sleeve

DLA	Mount Dimensions		Mounting Bolts	Stand-Offs	Prop Bolts	Muffler Bolts
	X (mm)	Y (mm)				
58	76	64	5.0 x 0.8 - 20 mm	12 OD x 68 L mm	5.0 x 0.8 - 40 mm	5.8 x 0.8 - 16 mm

### Suggested Items:

<a href="#">Gas Tank</a>	
<a href="#">Fuel Point™</a>	(From Golden Skies R/C)
<a href="#">Gas Line</a>	(From Golden Skies R/C)
<a href="#">Ignition Kill Switch</a>	(From Golden Skies R/C)
<a href="#">Propeller</a>	
2-Cycle Oil	
Gas Line Filter	
Mounting Template	
Propeller Drill-bit Guide	(From Golden Skies R/C)
Torque Wrench	
<a href="#">Spinner</a>	
Battery, Ignition	
Tachometer	(From Golden Skies R/C)