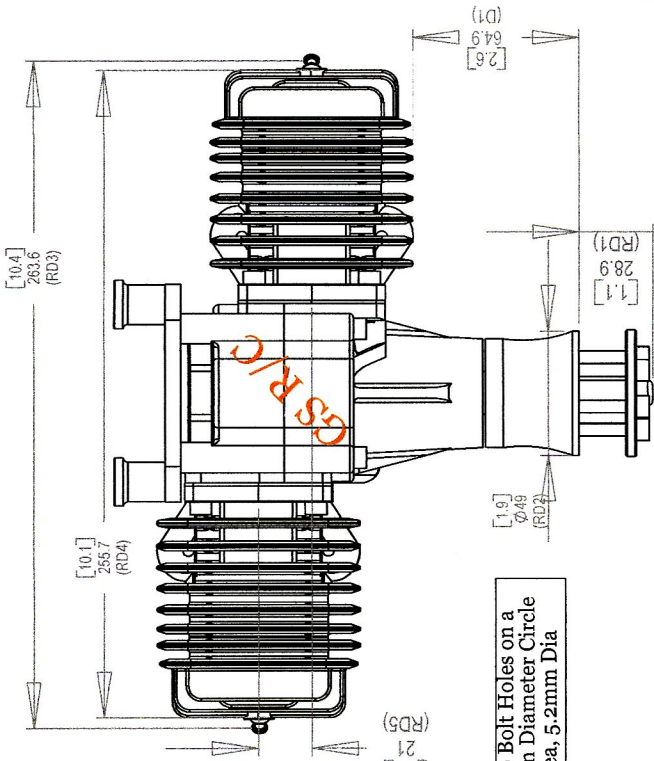


DLA 116CC

Plug Cap to Plug Cap

Slanted Plugs
284.2mm (11-3/16")

Straight Plugs
311.2mm (12-1/4")

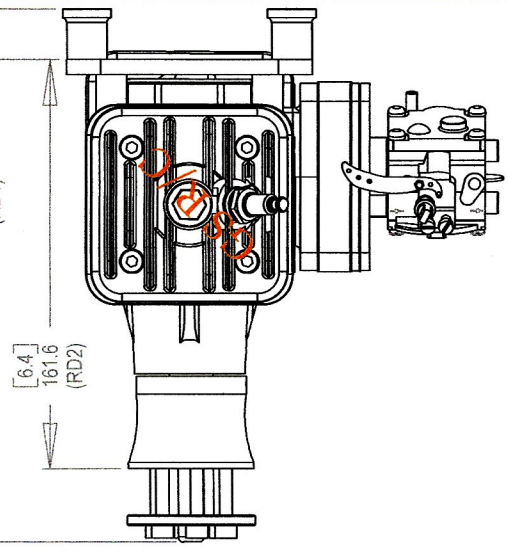
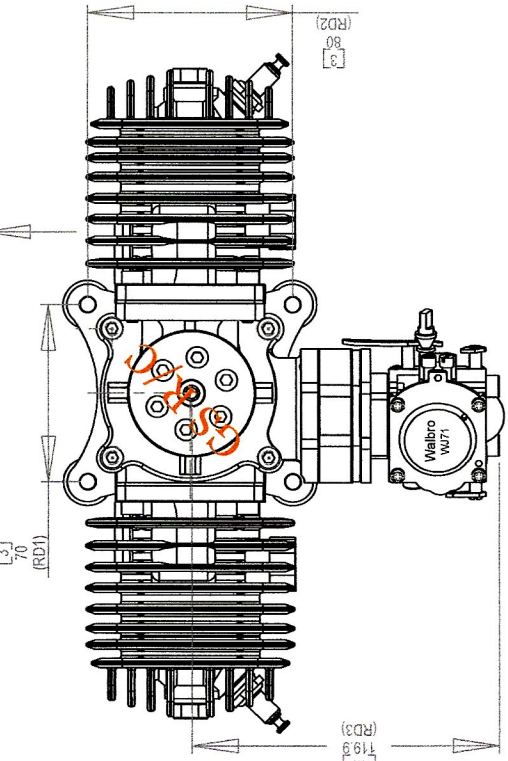


Prop Bolt Holes on a
29mm Diameter Circle
6 ea, 5.2mm Dia

Crankcase CNC
milled from:
7075 Forged
Aluminum
Billet

DLA 116cc may be configured to
operate with either a **Slanted** plug,
as shown, or a **Straight** plug, by
interchanging the Sparkplug and the
Plug Cap.

Prop Bolts:
5.0 x 0.8 - 50mm
Class 12.9



TITLE:		DLA 116CC Twin Boxer	
NAME	DATE	SIZE	REV
Schantz	8-27-18	A	B
DRAWN		DWG. NO.	03180-00440
CHECKED		SCALE: 1:3	WEIGHT: 104.8 oz <i>as Shown</i>
COMMENTS:		SHEET 1 OF 1	
1. Timing Sensor not shown.			

UNLESS OTHERWISE SPECIFIED:	
DIMENSIONS ARE IN:	mm (inches)
MATERIAL:	7075 Aluminum
FINISH:	

APPLICATION	USED ON
NEXT ASSY	R/C Model Aircraft R/C Model Aircraft Only

SCALE 1 : 3	Scale: 1/3
-------------	------------

PROPRIETARY AND CONFIDENTIAL
THE INFORMATION CONTAINED IN THIS
DRAWING IS THE SOLE PROPERTY OF
Golden Skies R/C Aircraft, Inc. ANY
REPRODUCTION IN PART OR AS A WHOLE
WITHOUT THE WRITTEN PERMISSION OF
Golden Skies R/C Aircraft, Inc. IS
PROHIBITED.