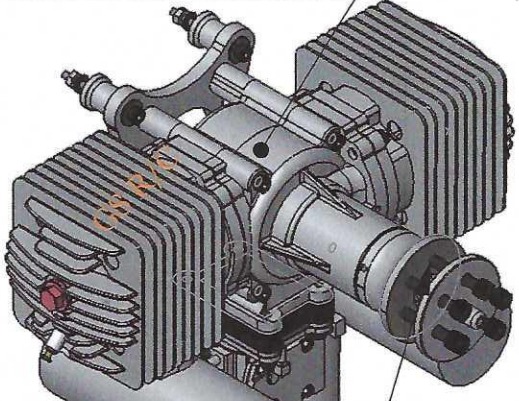


**DLA 180cc
Twin Boxer
Gas Engine**

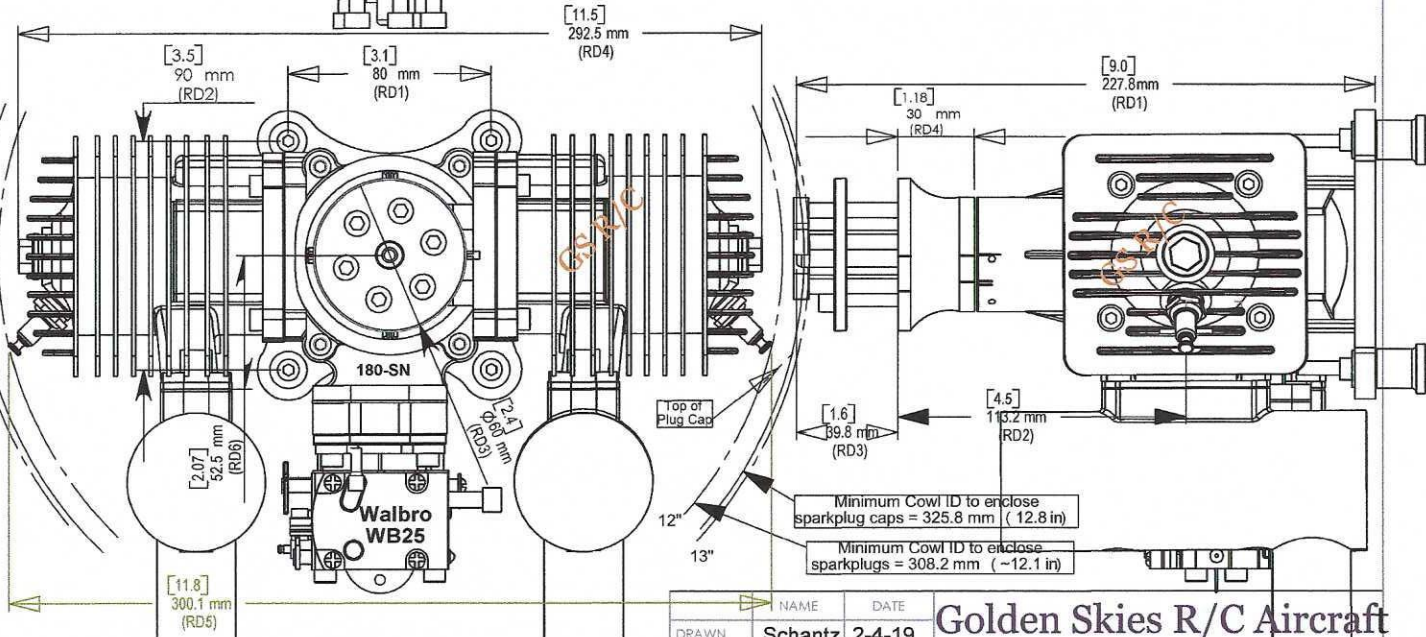
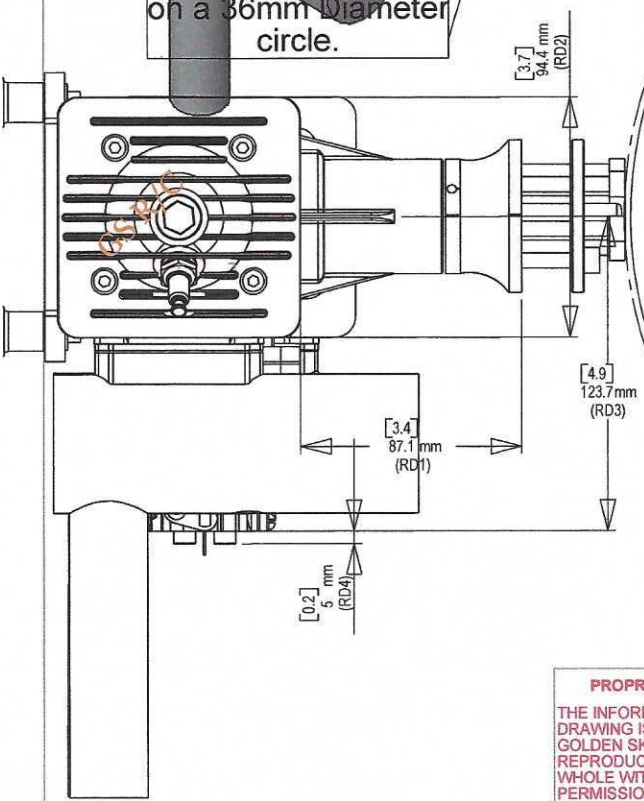
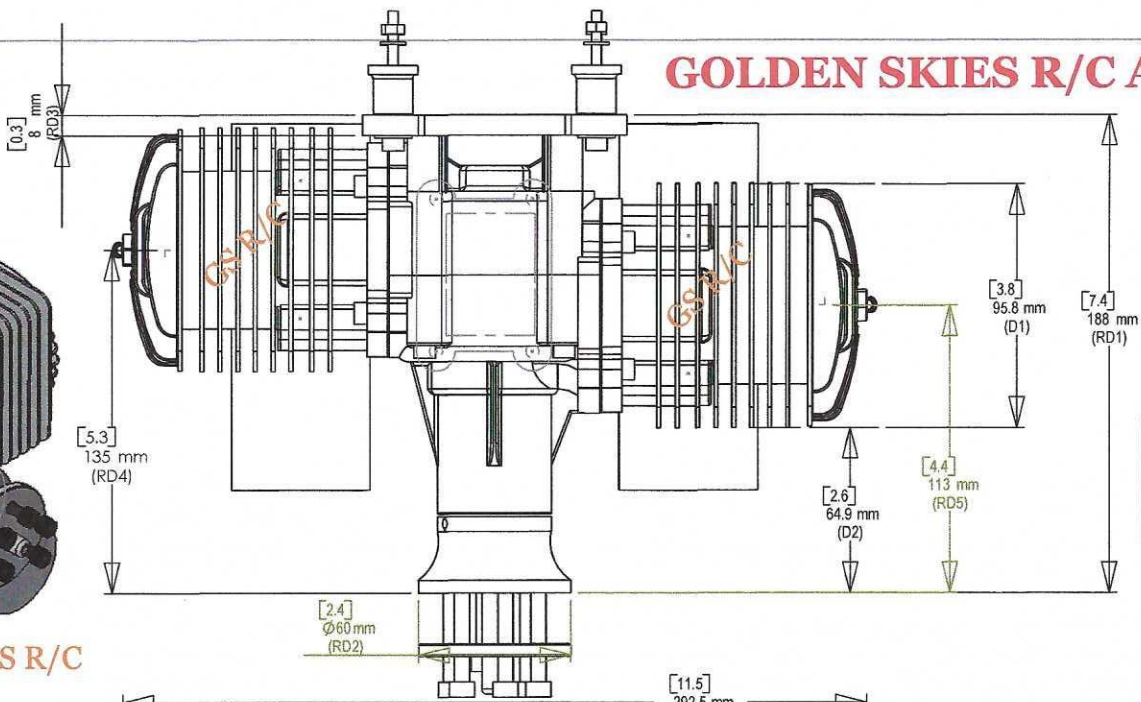
Plug-cap to Plug-Cap
horz distance: 12-7/32"
with slanted plugs
as shown

Crankcase CNC from
7075 Forged Aluminum
Billet



Prop-Bolt Pattern
6 ea, 6 x 0.1 mm
on a 36mm Diameter
circle.

GS R/C



PROPRIETARY AND CONFIDENTIAL
THE INFORMATION CONTAINED IN THIS
DRAWING IS THE SOLE PROPERTY OF
GOLDEN SKIES R/C AIRCRAFT, Inc. ANY
REPRODUCTION IN PART OR AS A
WHOLE WITHOUT THE WRITTEN
PERMISSION OF GOLDEN SKIES R/C
AIRCRAFT, Inc. IS PROHIBITED.

| | |
|-----------------------------------|----------------------|
| DIMENSIONS ARE IN: mm [inches] | |
| TOLERANCES: ± 0.1mm | |
| MATERIAL | 7075 ALUMINUM |
| FINISH | |
| R/C Aircraft Only | |
| NEXT ASSY | USED ON |
| APPLICATION | DO NOT SCALE DRAWING |

| | |
|----------------------------|--------|
| NAME | DATE |
| DRAWN Schantz | 2-4-19 |
| CHECKED | |
| ENG APPR. | |
| MFG APPR. | |
| Q.A. | |
| COMMENTS: | |
| Horse Power: ~ 18 | |
| Static Thrust: ~ 90 lbs | |
| Weight: 129.6 Oz (Engine) | |

Golden Skies R/C Aircraft

**DLA 180cc
TWIN BOXER
GAS ENGINE**

SIZE **A** DWG. NO. **03180-00900** REV. **D**

SCALE: 1:4 WEIGHT: 129.6 OZ (Engine) SHEET 1 OF 1