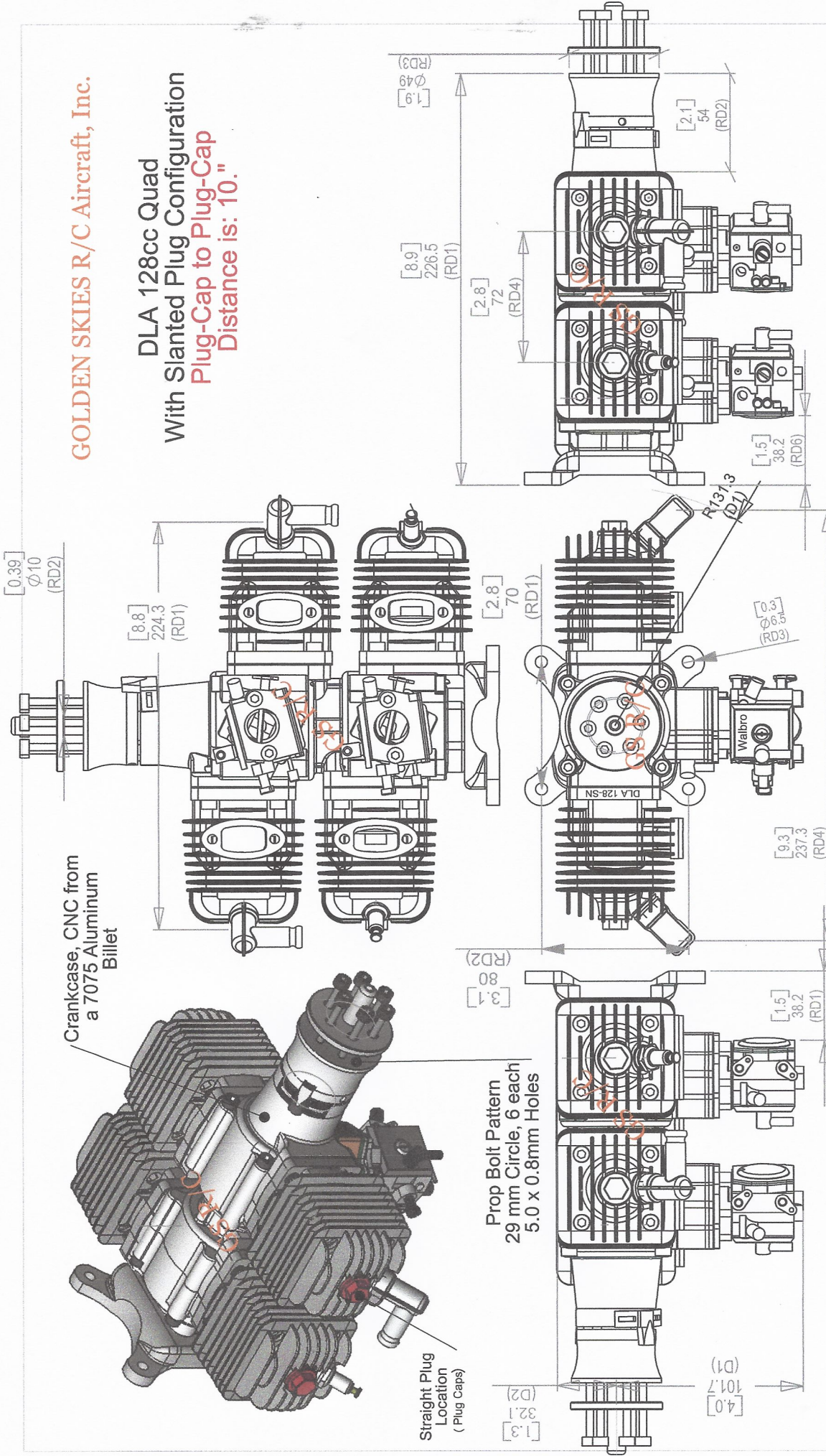


GOLDEN SKIES R/C Aircraft, Inc.

DLA 128cc Quad
With Slanted Plug Configuration
Plug-Cap to Plug-Cap
Distance is: 10."



Crankcase, CNC from a 7075 Aluminum Billet

Prop Bolt Pattern
 29 mm Circle, 6 each
 5.0 x 0.8mm Holes

Straight Plug Location (Plug Caps)

UNLESS OTHERWISE SPECIFIED:		NAME	DATE
DIMENSIONS ARE IN: mm [inches]		Schantz	11-26-18
TOLERANCES: +0.5 mm			
INTERPRET GEOMETRIC TOLERANCING PER:			
MATERIAL: 7075 Aluminum Billet			
FINISH: USED ON			
RC Aircraft			
NEXT ASSY			
RC Aircraft ONLY			
USED ON			
APPLICATION			
DO NOT SCALE DRAWING			
COMMENTS:			
Q.A.			
MFG APPR.			
ENG APPR.			
CHECKED			
DRAWN			
TITLE:		DLA 128cc Quad	
SCALE: 1:3		WEIGHT: 172.8 oz	
SHEET 1 OF 1		REV C	
SIZE A		DWG. NO. 03180-00600	

PROPRIETARY AND CONFIDENTIAL
 THE INFORMATION CONTAINED IN THIS DRAWING IS THE SOLE PROPERTY OF Golden Skies R/C Aircraft, Inc. ANY REPRODUCTION IN PART OR AS A WHOLE WITHOUT THE WRITTEN PERMISSION OF Golden Skies R/C Aircraft, Inc. IS PROHIBITED.